



AquaMatic[®] Valve V42



3/4- to 6-inch "Y" Pattern Diaphragm Valve
Cast Iron or Cast Brass Body and Cap

This product is manufactured in the United States of foreign and domestic parts.



Features & Benefits

- Large seat opening and high lift-disc for higher flow rates at a lower pressure loss
- Separate flow and control chambers permit positive closing without springs; and only nominal cost for spring assist opening for low-pressure and self-draining applications
- Cost-effective solution both in initial cost, as well as lifetime maintenance expenses
- Separate diaphragm chambers protects the diaphragm from the flow stream, while allowing the valve to be serviced in-line
- Constructed of cast iron, brass, stainless steel and Nitrile elastomer components, giving an unparalleled service life
- 3/4-inch through 3-inch threaded (N.P.T. or B.S.P.); 3-inch through 6-inch flanged drilled in accordance with ASA16.1 class 125, or BSP4504
- Compatible with wide range of line fluids including air or water applications
- Reinforced diaphragms are pre-formed and stress relieved to maximize responsiveness and product life
- Can be actuated with either air or water as control fluid

Accessories & Options

- Seal and diaphragm materials available
- Handles liquid and gases
- Adaptable to wide variety of control devices
- Spring assist (open or closed)
- Position indicator
- Limit stop for adjustable flow rate control
- High temperature service

16605 West Victor Rd. New Berlin, WI 53151 | P: 262-326-0100 | www.aq-matic.com | techsupport@aq-matic.com

© 2016 AQ Matic Valve and Controls Company, Inc. All rights reserved.

All AQ Matic trademarks and logos are owned by AQ Matic or its affiliates. All other registered and unregistered trademarks and logos are the property of their respective owners. Because we are continuously improving our products and services, AQ Matic reserves the right to change specifications without prior notice. AQ Matic is an equal opportunity employer.



AquaMatic® Valve VAV



This product is manufactured in the United States of foreign and domestic parts.

Features & Benefits

- Engineered for extended cycle life in high-use air applications
- Large seat opening and high lift-disc for higher flow rates at a lower pressure loss
- Separate flow and control chambers permit positive closing without springs; and only nominal cost for spring assist opening for low-pressure and self-draining applications
- Cost-effective solution both in initial cost, as well as lifetime maintenance expenses
- Separate diaphragm chambers protects the diaphragm from the flow stream, while allowing the valve to be serviced in-line
- Constructed of cast iron, brass, stainless steel and Nitrile elastomer components, giving an unparalleled service life
- 3/4-inch through 3-inch threaded (N.P.T. or B.S.P.); 3-inch through 4-inch flanged drilled in accordance with ASA16.1 class 125, or BSP4504



Accessories & Options

- Seal and diaphragm materials available
- Handles liquid and gases
- Adaptable to wide variety of control devices
- Spring assist (open or closed)
- Position indicator
- Limit stop for adjustable flow rate control
- High temperature service

16605 West Victor Rd. New Berlin, WI 53151 | P: 262-326-0100 | www.aq-matic.com | techsupport@aq-matic.com

© 2016 AQ Matic Valve and Controls Company, Inc. All rights reserved.

All AQ Matic trademarks and logos are owned by AQ Matic or its affiliates. All other registered and unregistered trademarks and logos are the property of their respective owners. Because we are continuously improving our products and services, AQ Matic reserves the right to change specifications without prior notice. AQ Matic is an equal opportunity employer.



AquaMatic® Valve V46



1-inch, 1.5-inch, and 2-inch "Y" pattern diaphragm valves
Stainless Steel body and cap

This product is manufactured in the United States of foreign and domestic parts.



Features & Benefits

- Y-pattern design permits higher flow than other comparably sized valves
- Larger diaphragm area compared to seat area permits drip tight closing without any springs
- Diaphragm acts as an actuator, eliminating the need for electric or pneumatic actuators, which minimizes initial investment and maintenance costs
- All internal parts are replaceable without removing valve from piping
- Stainless steel (CF8M) corrosion resistant alloy, all metal internals machined from 316 stainless steel alloy
- All metal parts are passivated to improve corrosion resistance
- Reinforced diaphragms are pre-formed and stress relieved to maximize responsiveness and product life
- Ideal for corrosive applications in paper/pulp, dairy, fuel, and water treatment industries
- Can be actuated with either air or water as control fluid

Accessories & Options

- Seal and diaphragm materials available
- Resistant to corrosive atmosphere
- Limit stop for adjustable flow rate control
- Spring assist (open or closed)
- Position indicator
- Available in threaded and flanged end configurations

16605 West Victor Rd. New Berlin, WI 53151 | P: 262-326-0100 | www.aq-matic.com | techsupport@aq-matic.com

© 2016 AQ Matic Valve and Controls Company, Inc. All rights reserved.

All AQ Matic trademarks and logos are owned by AQ Matic or its affiliates. All other registered and unregistered trademarks and logos are the property of their respective owners. Because we are continuously improving our products and services, AQ Matic reserves the right to change specifications without prior notice. AQ Matic is an equal opportunity employer.

AquaMatic Valve K52

1/2-inch to 2-1/2-inch "Y" pattern diaphragm valves
Glass-filled thermoplastic body and cap

This product is manufactured in the United States of foreign and domestic parts.



Features & Benefits

- Large Seat opening and high lift-disc for higher flow rates at a lower pressure loss
- Separate flow and control chambers permit positive closing without springs; and only nominal cost for spring assist opening for low-pressure and self-draining applications
- Cost-effective solution both in initial cost, as well as lifetime maintenance expenses
- Separate diaphragm chambers protects the diaphragm from the flow stream, while allowing the valve to be serviced in-line
- Pre-formed, stress relieved diaphragm minimizes fatigue, maximizes valve responsiveness and diaphragm lifetime
- All internal parts in contact with media are made of composite materials
- Can be actuated with either air or water as control fluid
- Designed for water treatment applications including those requiring acids, caustic and harsh chemicals that would rapidly corrode metal valves

Accessories & Options

- Seal and diaphragm materials available
- Spring assist (open or closed)
- Normally open or closed
- Position indicator
- K55 isolated bonnet valve

16605 West Victor Rd. New Berlin, WI 53151 | P: 262-326-0100 | www.aq-matic.com | techsupport@aq-matic.com

© 2016 AQ Matic Valve and Controls Company, Inc. All rights reserved.

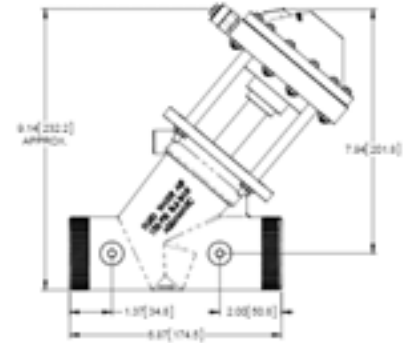
All AQ Matic trademarks and logos are owned by AQ Matic or its affiliates. All other registered and unregistered trademarks and logos are the property of their respective owners. Because we are continuously improving our products and services, AQ Matic reserves the right to change specifications without prior notice. AQ Matic is an equal opportunity employer.



AquaMatic[®] Valve K55

1/2-inch to 2-inch "Y" pattern isolated bonnet diaphragm valves
Glass-filled thermoplastic body and cap

This product is manufactured in the United States of foreign and domestic parts.



Features & Benefits

- Large Seat opening and high lift-disc for higher flow rates at a lower pressure loss
- Isolated bonnet feature physically separates line fluid from control fluid eliminating potential to contaminate control lines with corrosive fluids
- Failsafe closed options available to keep valve closed against 30, 60, or 100 psi line pressures without control pressure
- Pre-formed, stress relieved diaphragm minimizes fatigue, maximizes valve responsiveness and diaphragm lifetime
- All internal parts in contact with media are made of composite materials
- Can be actuated with either air or water as control fluid
- Designed for water treatment applications including those requiring acids, caustic and harsh chemicals that would rapidly corrode metal valves

Accessories & Options

- Seal and diaphragm materials available
- Spring assist (open or closed)
- Normally open or failsafe closed
- Flow control limit stop

16605 West Victor Rd. New Berlin, WI 53151 | P: 262-326-0100 | www.aq-matic.com | techsupport@aq-matic.com

© 2016 AQ Matic Valve and Controls Company, Inc. All rights reserved.

All AQ Matic trademarks and logos are owned by AQ Matic or its affiliates. All other registered and unregistered trademarks and logos are the property of their respective owners. Because we are continuously improving our products and services, AQ Matic reserves the right to change specifications without prior notice. AQ Matic is an equal opportunity employer.



AquaMatic® Valve K53

1-inch to 3-inch "Y" pattern diaphragm valves
Glass-filled thermoplastic body and cap intended for corrosive applications

This product is manufactured in the United States of foreign and domestic parts.



Features & Benefits

- Two dynamic o-rings on the shaft, with a vent in between the o-rings to prevent damage to the diaphragm
- Female socket weld connectors for easy installation and the ability to remove the valve without disrupting the service piping
- Cap held by a retaining ring, eliminates screws and nuts
- No external metal parts to corrode in aggressive atmosphere
- Valve bodies provided with molded pads can be used to support piping manifold
- Reinforced diaphragms are pre-formed and stress relieved to maximize responsiveness and product life
- Ideal for corrosive applications including deionized water, acids, caustic and harsh chemicals that would rapidly corrode metal valves
- Can be actuated with either air or water as control fluid

Accessories & Options

- Fully adjustable limit stop from full-open to full-closed, with a position indicator to show valve position
- Position indicator
- Spring assist (open or closed)
- Seal and diaphragm materials available
- Normally open or closed
- Externally normally closed

16605 West Victor Rd. New Berlin, WI 53151 | P: 262-326-0100 | www.aq-matic.com | techsupport@aq-matic.com

© 2016 AQ Matic Valve and Controls Company, Inc. All rights reserved.

All AQ Matic trademarks and logos are owned by AQ Matic or its affiliates. All other registered and unregistered trademarks and logos are the property of their respective owners. Because we are continuously improving our products and services, AQ Matic reserves the right to change specifications without prior notice. AQ Matic is an equal opportunity employer.