

J Series

2-way Solenoid Valve



The J Series is a general purpose 2-way solenoid valve with NPT end connections that can be used in a wide variety of applications.

FEATURES

- Normally closed or normally open.
- Pilot operated.
- NPT threaded connections.
- Shape B DIN 43650 connection encapsulated minicoils.
- IP65 and NEMA-4 protection.

TYPICAL APPLICATIONS

- Pumps and compressors.
- Pollution control equipment.
- Heating with low or high pressure steam.
- Autoclaves and air dryers.
- Water treatment equipment.
- Washing machines and dishwashers.
- Lubricated air, hot air and dry air applications.
- Oxygen and acetylene equipment.
- Spraying and irrigation equipment.

PRESSURE RANGE

Normally Closed:

- 3 to 225 PSI: 1/2" to 3/4"
- 3 to 45 PSI: steam (EPDM only), 1/2" to 3/4"
- 4.5 to 225 PSI: 1"
- 4.5 to 45 PSI: steam (EPDM only), 1"

Normally Open:

- 3 to 150 PSI: 1/2" to 3/4"
- 3 to 45 PSI: steam (EPDM only), 1/2" to 3/4"
- 1.5 to 150 PSI: 1"
- 1.5 to 60 PSI: steam (EPDM only), 1"

TEMPERATURE RANGE

- Up to 176°F (BUNA-N)
- Up to 302°F (EPDM)

Note: Placing a strainer upstream the valve with a porosity ≤ 100μ is recommended. Mounting valve over horizontal pipeline with the coil upright is preferable. Valve input pressure must always be greater than the output pressure. In order to allow the valve to open, the minimum pressure indicated must be respected.

MATERIALS OF CONSTRUCTION

Body:

Brass.

Seats and Seals:

BUNA-N or EPDM (required for steam service).

SPECIFICATIONS

Electrical Connection:

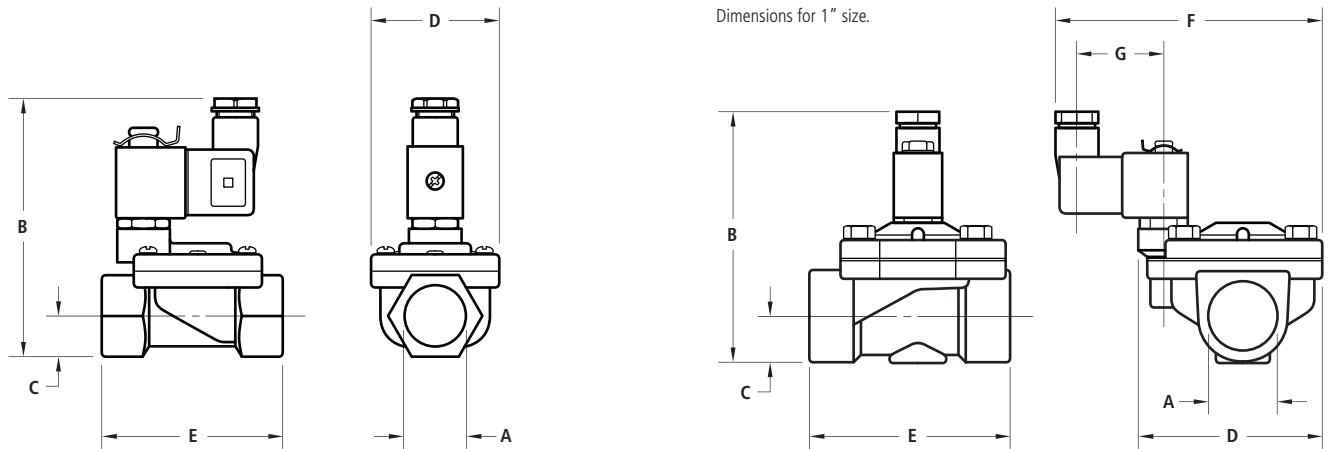
Shape B DIN 43650 with cord grip.

CV FACTORS

Size	CV (NC)	CV (NO)
3/8"	2.9	2.75
1/2"	4.2	3.10
3/4"	6.4	5.03
1"	10.5	13.00

J Series

2-way solenoid valve, normally closed
(Threaded end connection, pilot operated)



DIMENSIONS, WEIGHTS & SPECIFICATIONS

Size	A	B	C	D	E	F	G	Wt. (lbs.)	Model No.	
									EPDM	BUNA-N
3/8"	0.50	3.74	0.51	1.77	2.52	-	-	0.7	2036BE03T	2036BA03T
1/2"	0.50	3.74	0.51	1.77	2.52	-	-	0.7	2036BE04T	2036BA04T
3/4"	0.63	4.06	0.67	2.05	2.86	-	-	1.4	2036BE06T	2036BA06T
1"	1.00	4.37	0.79	3.19	3.43	4.65	1.38	2.2	2036BE08T	2036BA08T

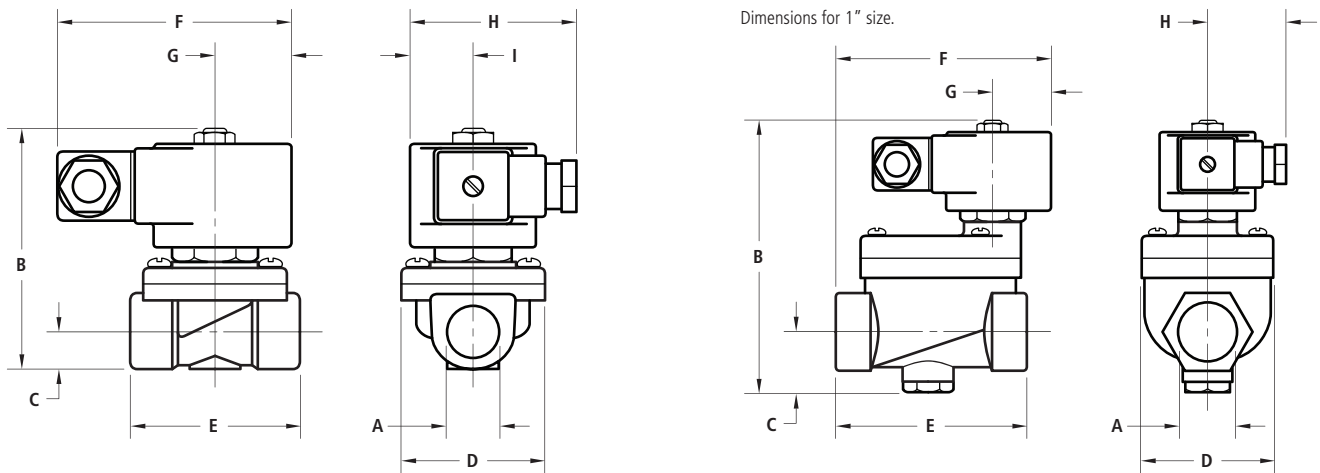
⊙ Voltage: **A** = 110 VAC; **B** = 24 VDC.

J VALVE FEATURES

- Normally closed.
- Pilot operated.
- NPT threaded connections.
- Shape B DIN 43650 connection encapsulated minicoils; cord grip.
- IP65 and NEMA-4 protection.
- Temperature range: Up to 176°F (BUNA-N), up to 302°F (EPDM).
- Pressure range: 3 to 225 PSI: 1/2" to 3/4",
3 to 45 PSI: steam (EPDM only), 1/2" to 3/4",
4.5 to 225 PSI: 1",
4.5 to 45 PSI: steam (EPDM only), 1".

J Series

2-way solenoid valve, normally open
(Threaded end connection, pilot operated)



DIMENSIONS, WEIGHTS & SPECIFICATIONS

Size	A	B	C	D	E	F	G	H	I	Wt. (lbs.)	Model No.	
											EPDM	BUNA-N
3/8"	0.55	3.74	0.59	2.01	2.36	3.35	1.02	2.24	0.87	1.75	1335BE3INAT⊙	1335BA3INAT⊙
1/2"	0.55	3.74	0.59	2.01	2.36	3.35	1.02	2.24	0.87	1.75	1335BE4INAT⊙	1335BA4INAT⊙
3/4"	0.71	3.90	0.67	2.28	2.83	3.35	1.02	2.24	0.87	2.00	1335BE6INAT⊙	1335BA6INAT⊙
1"	1.02	5.43	1.18	2.64	3.78	4.09	1.06	1.38	-	3.80	1342BE08INAT⊙	1342BA08INAT⊙

⊙ Voltage: **A** = 110 VAC; **B** = 24 VDC.

J VALVE FEATURES

- Normally open.
- Pilot operated.
- NPT threaded connections.
- Shape B DIN 43650 connection encapsulated minicoils; cord grip.
- IP65 and NEMA-4 protection.
- Temperature range: Up to 176°F (BUNA-N), up to 302°F (EPDM).
- Pressure range: 3 to 150 PSI: 1/2" to 3/4",
3 to 45 PSI: steam (EPDM only), 1/2" to 3/4",
1.5 to 150 PSI: 1",
1.5 to 60 PSI: steam (EPDM only), 1".