



VALVE ACTUATOR CYLINDER
8" to 20" BORE SERIES VAC AIR CYLINDER
STANDARD IN STEEL, AVAILABLE IN ALL-STAINLESS STEEL!

8" to 14" Bores to 250 PSI
 16" to 20" Bores to 125 PSI

VALVE ACTUATOR CYLINDER



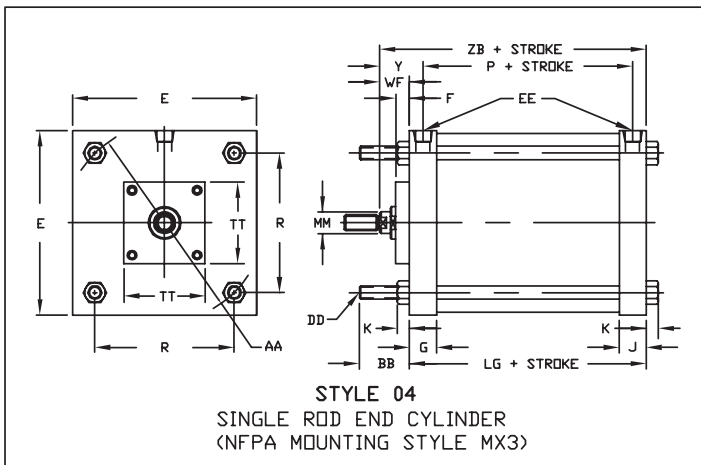
Lehigh's uncompromising quality is built into this series of light duty cylinder designed to meet industry's requirements for valve and guided load actuation.

As with our heavy duty air cylinder series, the VAC cylinder construction includes our exclusive MIRACALUBE® self-lubricated system. This unique system meters a specially formulated, non-toxic, ingestible, low vapor pressure lubricant, totally solvent-free. Unlike contaminating air line lubricants, Lehigh MIRACALUBE® will not mist or atomize. Being solvent-free, it will not dissolve seals or fuse lipseals to the tube I.D. if the piston remains in one position for an extended length of time.

Valve actuation applications often require more than the catalog standard design. . .

- If a fail-safe position is needed should pneumatic pressure be lost, contact us for a spring offset option.
- A position indicator may be important. A rear piston rod can be added that actuates a limit switch.
- Perhaps you can't use pneumatic pressure at all. Let us design the VAC for water media.

Our custom designs are created for specific applications. If the standard doesn't fit, contact us to get just the right features designed in.



MOUNTING DESCRIPTION

MOUNTING STYLE	NFPA MOUNTING STYLE	DESCRIPTION
01	MX0	NO TIE ROD EXTENSIONS
02	MX1	TIE RODS EXTENDED BOTH ENDS
03	MX2	TIE RODS EXTENDED CAP END
04	MX3	TIE RODS EXTENDED ROD END
DRE 01	MDX0	NO TIE ROD EXTENSIONS
DRE 02	MDX1	TIE RODS EXTENDED BOTH ENDS
DRE 03	MDX3	TIE RODS EXTENDED ONE END

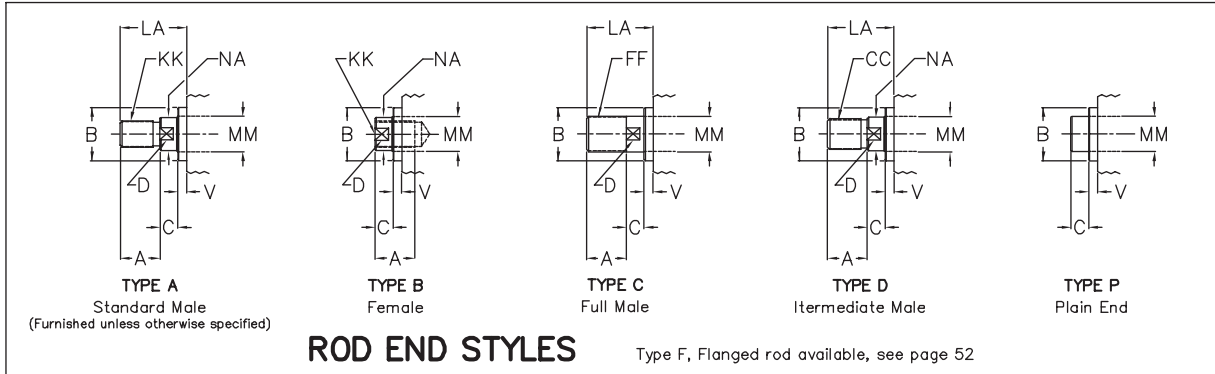
ENVELOPE AND MOUNTING DIMENSIONS NOT AFFECTED BY ROD DIAMETER

BORE	AA	BB	DD	E	EE NPTF	F	G	J	K	R	LG	P
											ADD STROKE	
8	9.10	2 5/8	5/8-18	8 1/2	1/2	5/8	1 1/4	1 1/4	9/16	6.44	4 1/8	3
10	11.20	3	3/4-16	10 5/8	1/2	5/8	1 1/4	1 1/4	11/16	7.92	4 5/8	3 19/32
12	13.30	3	3/4-16	12 3/4	1/2	5/8	1 1/4	1 1/4	11/16	9.40	5 1/8	4 3/32
14	15.40	3 3/16	7/8-14	14 3/4	3/4	3/4	1 3/4	1 3/4	3/4	10.90	6 5/8	4 7/8
16	18.19	3 5/8	1-14	17 1/2	1	3/4	2	2	7/8	12.86	7 3/8	5 7/16
18	20.19	4 1/8	1 1/8-12	19 1/2	1 1/4	3/4	2 1/2	2 1/2	1	14.27	8 3/8	5 15/16
20	22.31	4 1/2	1 1/4-12	21 1/2	1 1/2	3/4	2 3/4	2 3/4	1 1/16	15.77	9 3/8	6 3/4



VALVE ACTUATOR CYLINDER

8" to 20" BORE SERIES VAC AIR CYLINDER (Cont.)

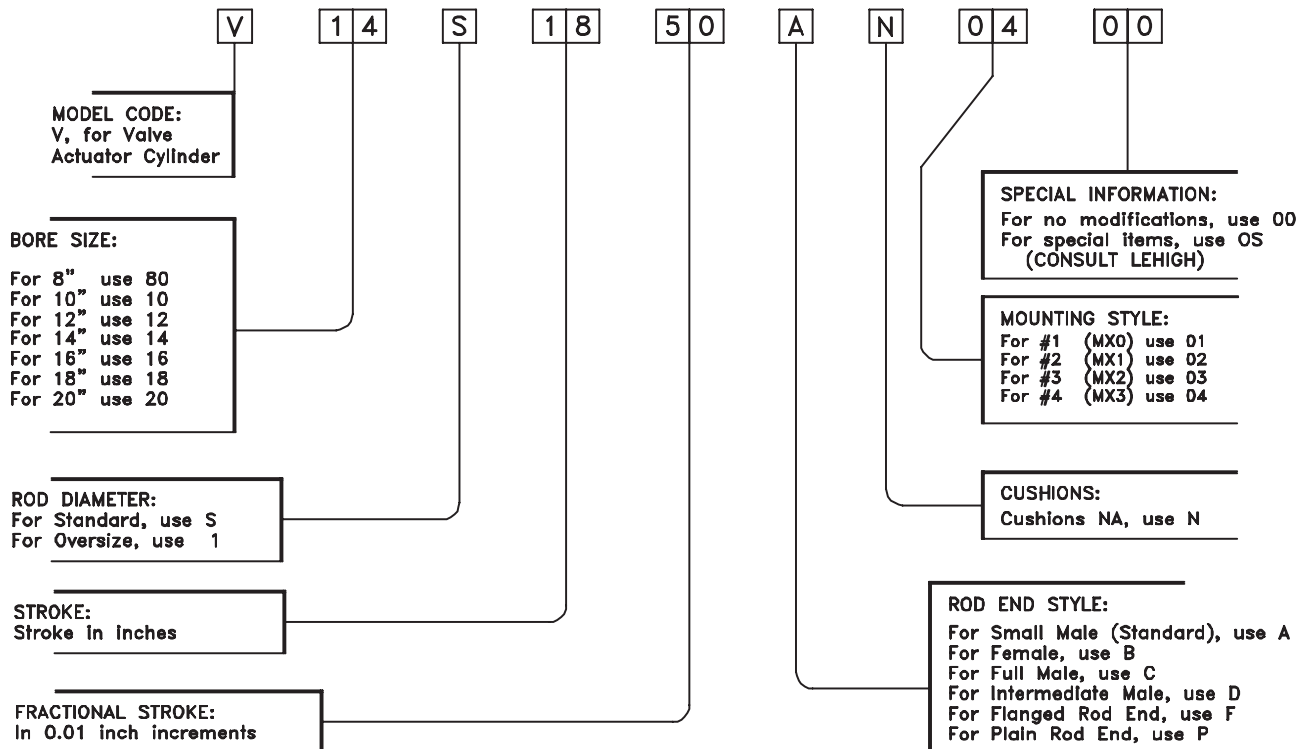


DIMENSIONS AFFECTED BY ROD DIAMETER

BORE	ROD DIA. MM	MAX. * STROKE LENGTH	THREAD SIZE			A	B +.000 - .002	C	D	LA	NA	TT	V	WF	Y	ZB PLUS STROKE
			KK STD	CC	FF											
8	1	30 INCHES	3/4-16	7/8-14	1-14	1 5/8	1.499	1/2	7/8	2 3/8	15/16	3 3/4	1/4	1 3/8	1 15/16	5 1/2
	1 3/8	70 INCHES	1-14	1 1/4-12	1 3/8-12	1 5/8	1.999	5/8	1 1/8	2 5/8	1 5/16	3 3/4	3/8	1 5/8	2 3/16	5 3/4
10	1	24 INCHES	3/4-16	7/8-14	1-14	1 5/8	1.499	1/2	7/8	2 3/8	15/16	3 3/4	1/4	1 3/8	1 7/8	6
	1 3/8	52 INCHES	1-14	1 1/4-12	1 3/8-12	1 5/8	1.999	5/8	1 1/8	2 5/8	1 5/16	3 3/4	3/8	1 5/8	2 1/8	6 1/4
12	1 3/8	28 INCHES	1-14	1 1/4-12	1 3/8-12	2	1.999	5/8	1 1/8	3	1 5/16	3 3/4	3/8	1 5/8	2 1/8	6 3/4
	1 3/4	64 INCHES	1 1/4-12	1 1/2-12	1 3/4-12	2	2.374	3/4	1 1/2	3 1/4	1 11/16	3 3/4	1/2	1 7/8	2 3/8	7
14	1 3/4	65 INCHES	1 1/4-12	1 1/2-12	1 3/4-12	2	2.374	3/4	1 1/2	3 1/8	1 11/16	4	3/8	1 7/8	2 3/4	8 1/2
	2	85 INCHES	1 1/2-12	1 3/4-12	2-12	2	2.624	7/8	1 11/16	3 1/4	1 15/16	4	3/8	2	2 7/8	8 5/8
16	2	75 INCHES	1 1/2-12	1 3/4-12	2-12	3	2.624	7/8	1 11/16	4 1/4	1 15/16	4	3/8	2	3	9 3/8
	2 1/2	85 INCHES	1 7/8-12	2 1/4-12	2 1/2-12	3	3.124	1	2 1/16	4 1/2	2 3/8	4	1/2	2 1/4	3 1/4	9 5/8
18	2 1/2	85 INCHES	1 7/8-12	2 1/4-12	2 1/2-12	3 1/2	3.124	1	2 1/16	5	2 3/8	4	1/2	2 1/4	3 1/2	10 5/8
	3	85 INCHES	2 1/4-12	2 3/4-12	3-12	3 1/2	3.749	1	2 5/8	5	2 7/8	5 1/2	1/2	2 1/4	3 1/2	10 5/8
20	3	85 INCHES	2 1/4-12	2 3/4-12	3-12	3 1/2	3.749	1	2 5/8	5	2 7/8	5 1/2	1/2	2 1/4	3 9/16	11 5/8
	3 1/2	85 INCHES	2 1/2-12	3 1/4-12	3 1/2-12	3 1/2	4.249	1	3	5	3 3/8	5 1/2	1/2	2 1/4	3 9/16	11 5/8

FIRST ROD SIZE LISTED FOR EACH BORE SIZE IS STANDARD ROD
* MAX STROKE LENGTHS SHOWN ARE FOR RIGIDLY GUIDED LOADS AT MAX 120 PSI INPUT PRESSURE

ORDERING INFORMATION



Cylinder Designation for Sample Code Above

Series VAC Valve Actuator Air Cylinder – 14" Dia. Bore – 1 3/4" Dia. Rod – 18.50" Stroke
Standard Small Male Rod End (1 1/4 - 12) – Non-Cushioned – #4 (MX3) Mounting