

VAX Series

High Pressure 2-way/3-way Coaxial Valve



High pressure coaxial valves are the best choice in process and fluid control and combine performance, economy and availability.

FEATURES

- Bi-directional compact design and NPT end connections.
- Fast actuation, high cycle life and maintenance free.
- Limit switches and solenoids available (pneumatic only).

TYPICAL APPLICATIONS

- Vacuum and gaseous applications.
- Liquid, gelatinous and highly viscous media.
- High cycle applications.

MATERIALS OF CONSTRUCTION

Seats:

PTFE.

Seals:

FPM.

Control tube:

Stainless steel.

End Caps:

Brass or stainless steel.

Center Body (non wetted):

Aluminum (pneumatic) or nickel plated steel (electric).

Bolts:

Steel.

TEMPERATURE RANGE

-4°F to 140°F

VAX SERIES MODEL NUMBERING

Model Number: X VAX X X X X X

Size (NPT): _____

B = 3/8"

C = 1/2"

D = 3/4"

E = 1"

Material: _____

B = Brass

S = Stainless Steel

Configuration: _____

2 = 2-way

3 = 3-way (Brass Only)

Actuator Style: _____

P = Pneumatic

E = Electric

Fail Position: _____

O = Fail Open (2-way),
Fail Port A To B (3-way)

C = Fail Closed (2-way),
Fail Port A To C (3-way)

Voltage (Electric Only): _____

A = 110 VAC

B = 24 VDC

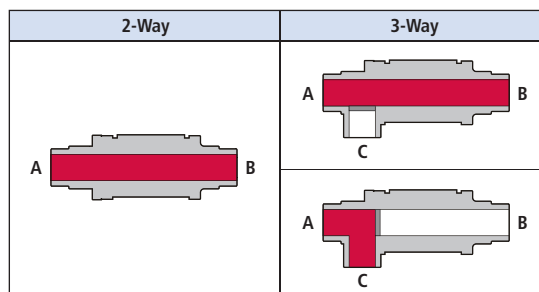
MAXIMUM PRESSURE

ΔP 600 PSI: Pneumatic, A to B,
A to C or B to A

ΔP 600 PSI: Electric, A to B
or A to C

ΔP 180 PSI: Electric, B to A

VALVE CONFIGURATIONS

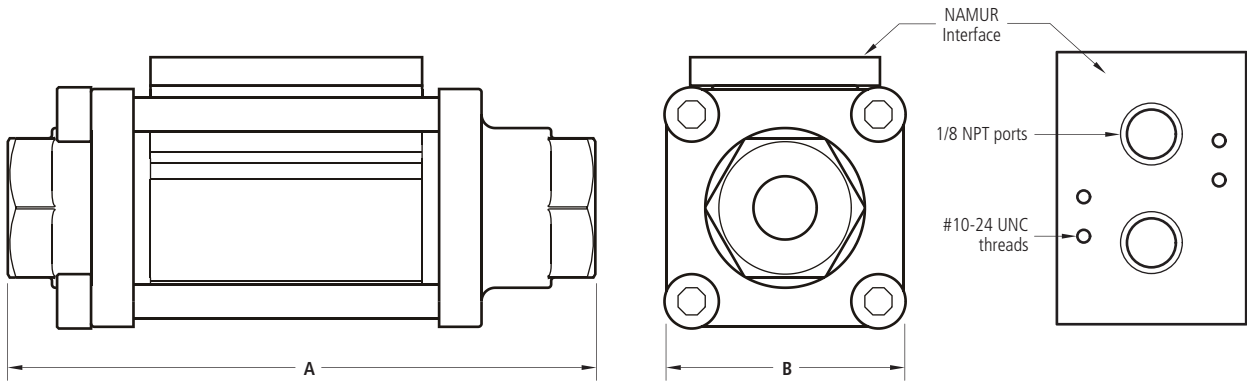


CV FACTORS

| Size | CV | |
|------------------|--------|--------|
| | A to B | A to C |
| Pneumatic | | |
| 3/8" | 2.5 | 2.2 |
| 1/2" | 6.1 | 4.5 |
| 3/4" | 10.8 | 7.7 |
| 1" | 15.0 | 12.7 |
| Electric | | |
| 3/8" | 2.5 | 1.8 |
| 1/2" | 6.0 | 4.1 |
| 3/4" | 8.6 | 6.4 |
| 1" | 14.0 | 11.7 |

VAX Series

High pressure 2-way coaxial valve
(Pneumatic, spring return)



DIMENSIONS, WEIGHTS & SPECIFICATIONS

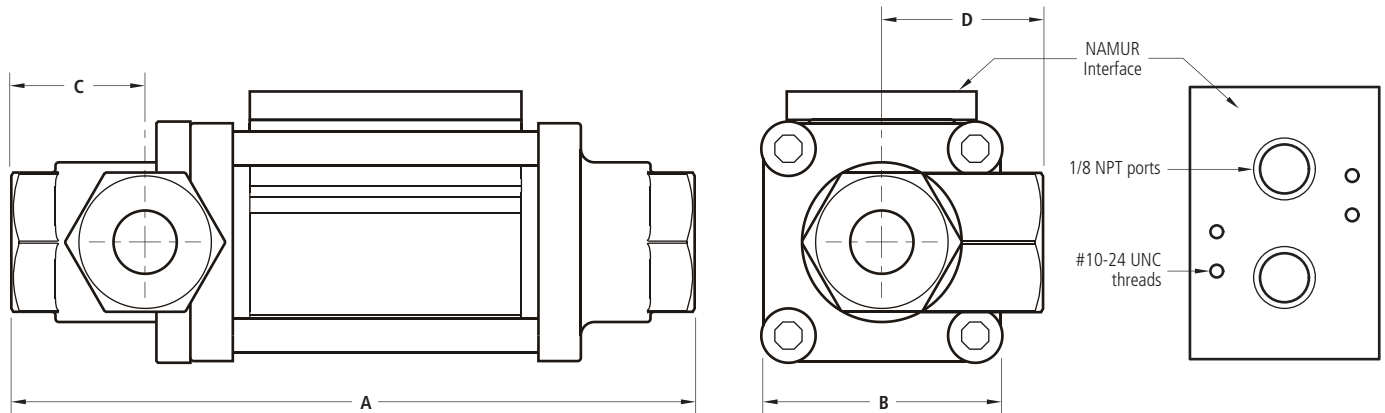
| Size | A | B | Actuating Pressure (PSI) | Actuation Time (60 PSI line pressure) | | Wt. (lbs.) | Model No. | |
|------|------|------|--------------------------|---------------------------------------|---------|------------|-----------|-------------|
| | | | | Opening | Closing | | Fail Open | Fail Closed |
| 3/8" | 5.71 | 1.97 | 60-120 | 30 ms | 50 ms | 2.87 | BVAXS2PO | BVAXS2PC |
| 1/2" | 6.81 | 2.76 | 60-120 | 35 ms | 60 ms | 5.51 | CVAXS2PO | CVAXS2PC |
| 3/4" | 7.60 | 3.15 | 60-120 | 40 ms | 60 ms | 8.38 | DVAXS2PO | DVAXS2PC |
| 1" | 8.35 | 3.54 | 60-120 | 50 ms | 70 ms | 11.24 | EVAXS2PO | EVAXS2PC |

VAX VALVE FEATURES

- Bi-directional compact design and NPT end connections.
- Fast actuation, high cycle life and maintenance free.
- NAMUR solenoid mounting pad.
- Limit switches and solenoids available.

VAX Series

High pressure 3-way coaxial valve
(Pneumatic, spring return)



DIMENSIONS, WEIGHTS & SPECIFICATIONS

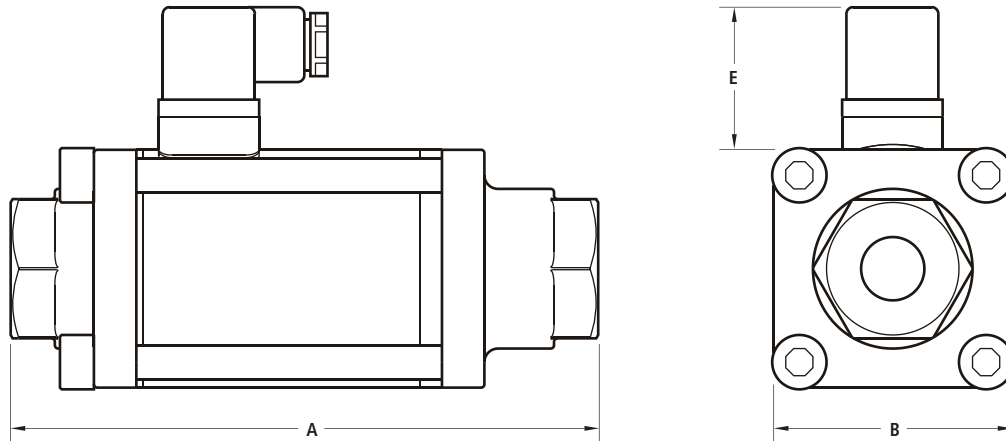
| Size | A | B | C | D | Actuating Pressure (PSI) | Actuation Time (60 PSI line pressure) | | Wt. (lbs.) | Model No. | |
|------|------|------|------|------|--------------------------|---------------------------------------|---------|------------|-----------|-------------|
| | | | | | | Opening | Closing | | Fail Open | Fail Closed |
| 3/8" | 6.54 | 1.97 | 1.26 | 1.46 | 60-120 | 30 ms | 50 ms | 3.31 | BVAXB3PO | BVAXB3PC |
| 1/2" | 7.87 | 2.76 | 1.52 | 2.36 | 60-120 | 35 ms | 60 ms | 6.61 | CVAXB3PO | CVAXB3PC |
| 3/4" | 9.02 | 3.15 | 1.79 | 2.83 | 60-120 | 40 ms | 60 ms | 9.70 | DVAXB3PO | DVAXB3PC |
| 1" | 9.80 | 3.54 | 1.89 | 3.15 | 60-120 | 50 ms | 70 ms | 13.45 | EVAXB3PO | EVAXB3PC |

VAX VALVE FEATURES

- Bi-directional compact design and NPT end connections.
- Fast actuation, high cycle life and maintenance free.
- NAMUR solenoid mounting pad.
- Limit switches and solenoids available.

VAX Series

High pressure 2-way coaxial valve
(Electric, direct acting, spring return)



DIMENSIONS, WEIGHTS & SPECIFICATIONS

| Size | A | B | E | | Current Consumption | | Operating Time | | Wt. (lbs.) | Model No. | |
|------|------|------|------|------|---------------------|--------|----------------|---------|------------|-------------|-------------|
| | | | AC | DC | AC | DC | Opening | Closing | | Fail A to B | Fail B to A |
| 3/8" | 5.71 | 1.97 | 1.83 | 1.58 | 0.36 A | 1.45 A | 45 ms | 70 ms | 3.75 | BVAXS2EO | BVAXS2EC |
| 1/2" | 6.81 | 2.76 | 1.83 | 1.58 | 0.41 A | 2.1 A | 60 ms | 130 ms | 8.16 | CVAXS2EO | CVAXS2EC |
| 3/4" | 7.60 | 3.15 | 1.83 | 1.58 | 0.56 A | 2.2 A | 105 ms | 150 ms | 11.90 | DVAXS2EO | DVAXS2EC |
| 1" | 8.35 | 3.54 | 1.83 | 1.58 | 0.62 A | 2.5 A | 150 ms | 190 ms | 15.65 | EVAXS2EO | EVAXS2EC |

⊙ Voltage: **A** = 110 VAC; **B** = 24 VDC.

VAX VALVE FEATURES

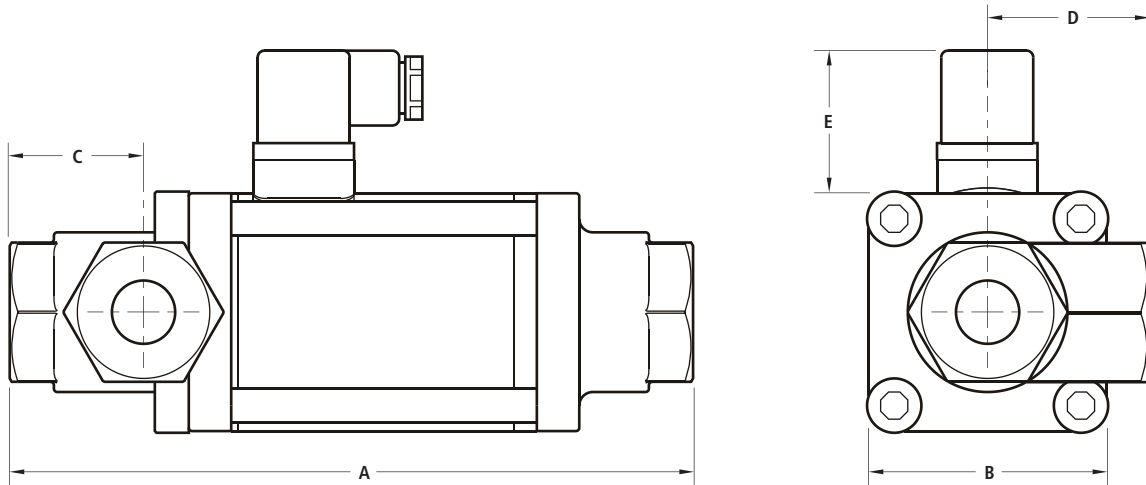
- Bi-directional compact design and NPT end connections.
- Fast actuation, high cycle life and maintenance free.
- IP 65 rating.

ELECTRIC ACTUATOR FEATURES

- Electrical DIN cord grip connection: PG9, plug acc. DIN EN 175301-803 form A, LED.
- Insulation class H.
- IP 65 enclosure protection.
- Energized duty rating: ED 100%.

VAX Series

High pressure 3-way coaxial valve
(Electric, direct acting, spring return)



DIMENSIONS, WEIGHTS & SPECIFICATIONS

| Size | A | B | C | D | E | | Current Consumption | | Operating Time | | Wt. (lbs.) | Model No. | |
|------|------|------|------|------|------|------|---------------------|--------|----------------|---------|------------|-------------|-------------|
| | | | | | AC | DC | AC | DC | Opening | Closing | | Fail A to B | Fail B to A |
| 3/8" | 6.54 | 1.97 | 1.26 | 1.46 | 1.83 | 1.58 | 0.36 A | 1.45 A | 45 ms | 70 ms | 4.41 | BVAXB3EO | BVAXB3EC |
| 1/2" | 7.87 | 2.76 | 1.52 | 2.36 | 1.83 | 1.58 | 0.41 A | 2.1 A | 60 ms | 130 ms | 9.04 | CVAXB3EO | CVAXB3EC |
| 3/4" | 9.02 | 3.15 | 1.79 | 2.83 | 1.83 | 1.58 | 0.56 A | 2.2 A | 105 ms | 150 ms | 13.23 | DVAXB3EO | DVAXB3EC |
| 1" | 9.80 | 3.54 | 1.89 | 3.15 | 1.83 | 1.58 | 0.62 A | 2.5 A | 150 ms | 190 ms | 17.86 | EVAXB3EO | EVAXB3EC |

Ⓞ Voltage: **A** = 110 VAC; **B** = 24 VDC.

VAX VALVE FEATURES

- Bi-directional compact design and NPT end connections.
- Fast actuation, high cycle life and maintenance free.
- IP 65 rating.

ELECTRIC ACTUATOR FEATURES

- Electrical DIN cord grip connection: PG9, plug acc. DIN EN 175301-803 form A, LED.
- Insulation class H.
- IP 65 enclosure protection.
- Energized duty rating: ED 100%.